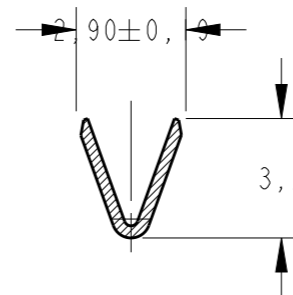
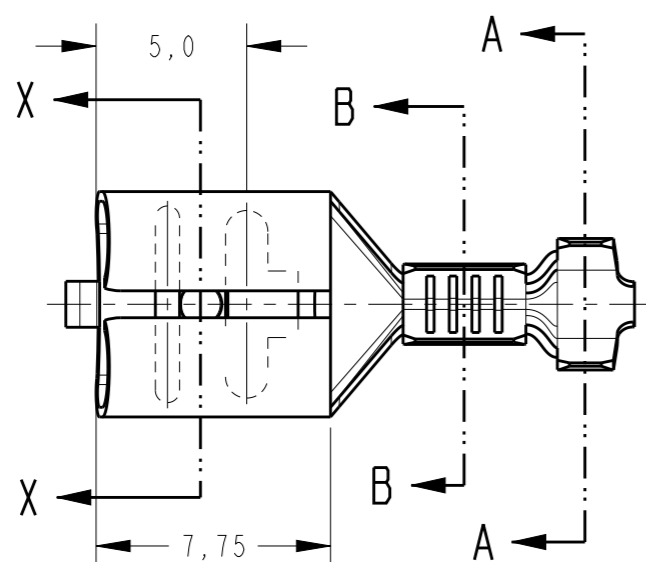


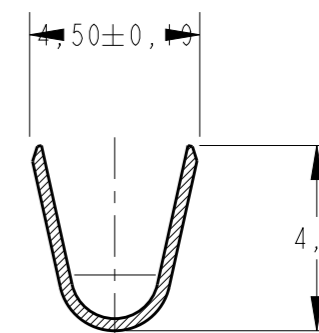
LOC AP DIST -

REVISIONS

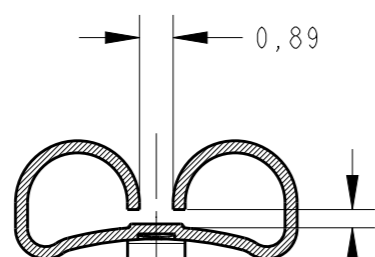
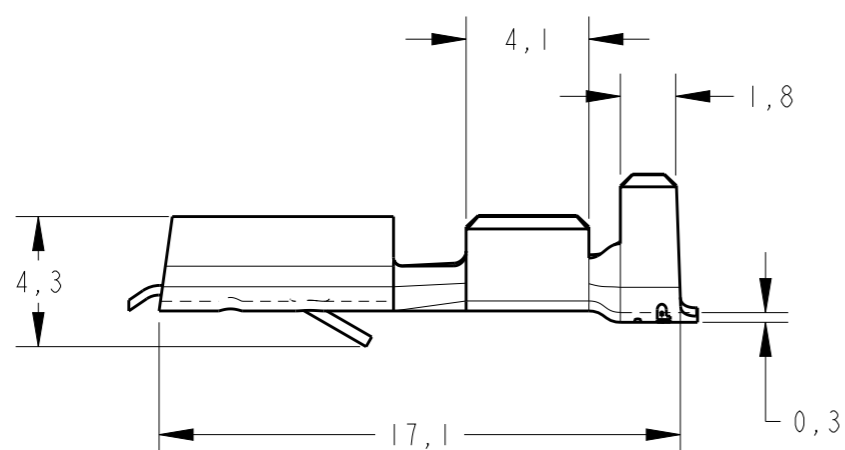
P	LTR	DESCRIPTION	DATE	DWN	APVD
J2		REDRAW BY CAD ECO-12-014149	27AUG2012	NCL	DAO
J3		REVISED BY ECO 16-003725	23JUN2016	HC	WLS



SECTION B-B
SCALE 5:1

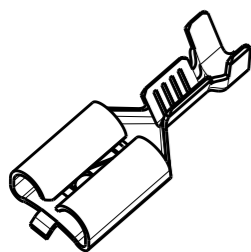


SECTION A-A
SCALE 5:1



SECTION X-X
SCALE 5:1

PARA LINGUETA
DE 0,8mm ESPESSURA



PERSPECTIVE VIEW
SCALE 2:1

FINISH	MATERIAL	PART NUMBER
—	BRONZE FOSFOROSO	626094 -6
OBSOLETE PRATEADO	LATÃO / BRASS	626094 -5
OBSOLETE ESTANHADO / TIN PLATED	LATÃO / BRASS	626094 -4
OBSOLETE —	BRONZE FOSFOROSO	626094 -3
ESTANHADO / TIN PLATED	LATÃO / BRASS	626094 -2
—	LATÃO / BRASS	626094 -1

INS. RANGE	WIRE RANGE
∅2,28-3,30mm	>0,50-1,00mm ²

THIS DRAWING IS A CONTROLLED DOCUMENT.

DWN NCLAPRESA 12JUL2012
CHK JRGOLDSCHMIDT 12JUL2012
APVD DAOLIVEIRA 12JUL2012

TE Connectivity

NAME -
PRODUCT SPEC -
APPLICATION SPEC -
WEIGHT -

Customer Drawing

SIZE A3 CAGE CODE 00779 DRAWING NO C-626094 RESTRICTED TO -

SCALE - SHEET 1 OF 1 REV J3

DIMENSIONS:	TOLERANCES UNLESS OTHERWISE SPECIFIED:
mm	0 PLC ±0,3 1 PLC ±0,3 2 PLC ± 3 PLC ± 4 PLC ± ANGLES ±1°
MATERIAL SEE TABLE	FINISH SEE TABLE